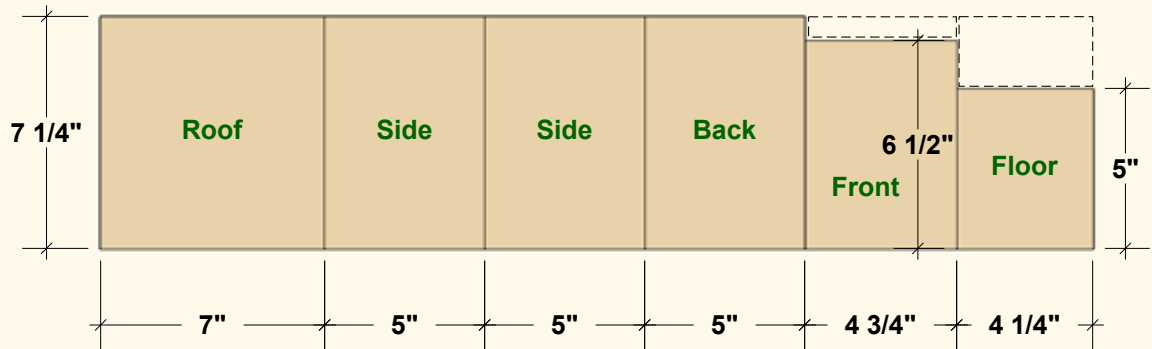
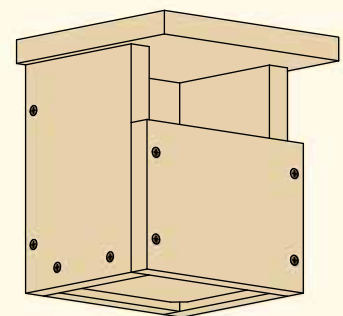
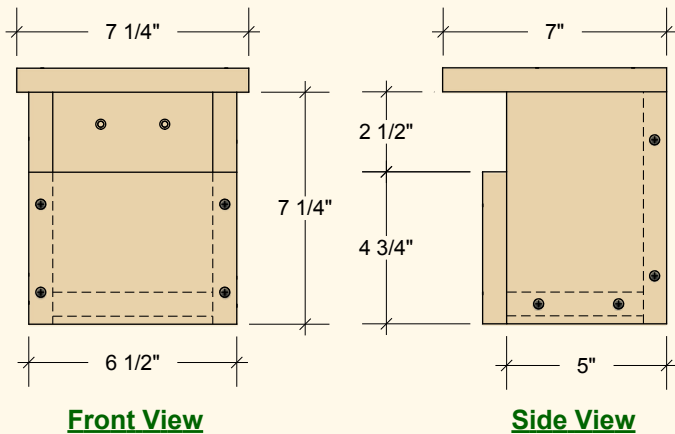
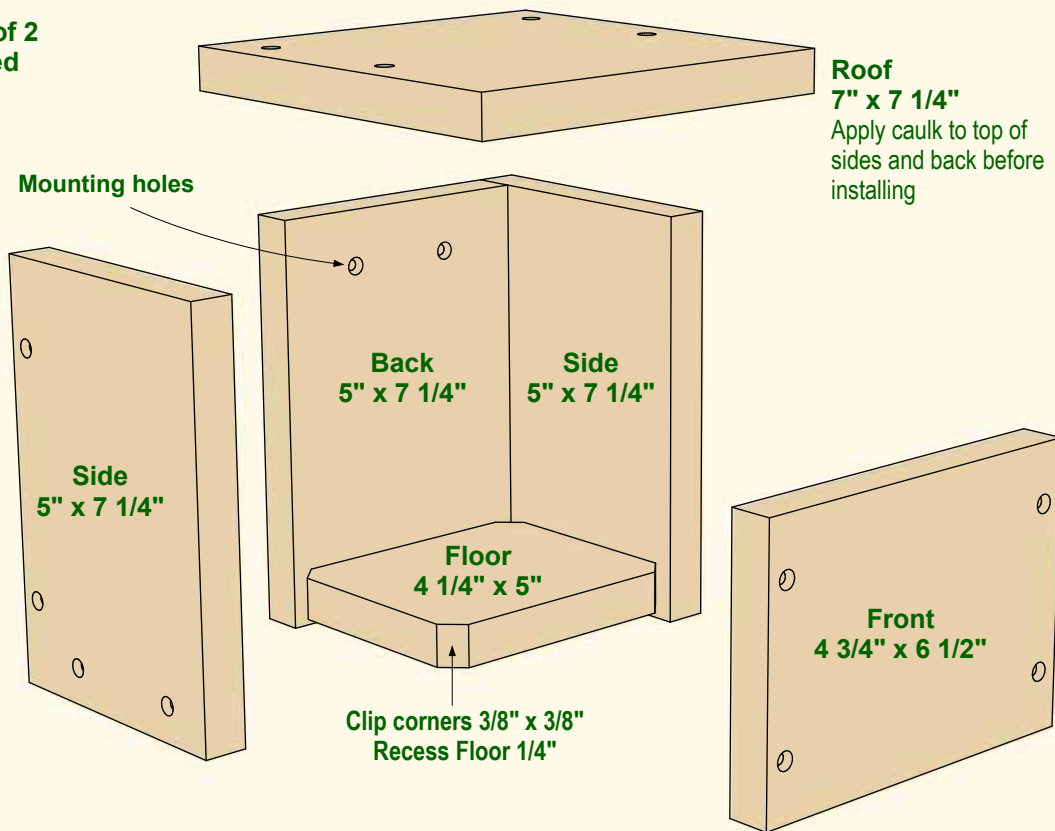


Cutting Diagram
1 x 8 x 32"

Cut all parts to width then cut Front and Floor to length



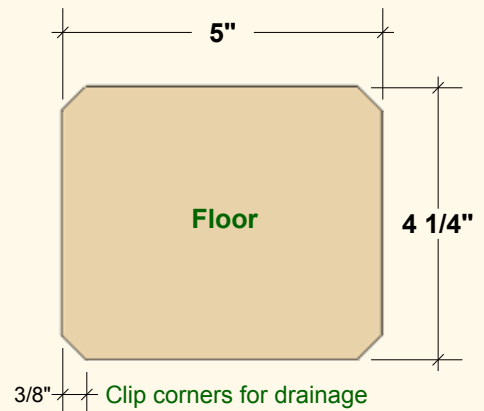
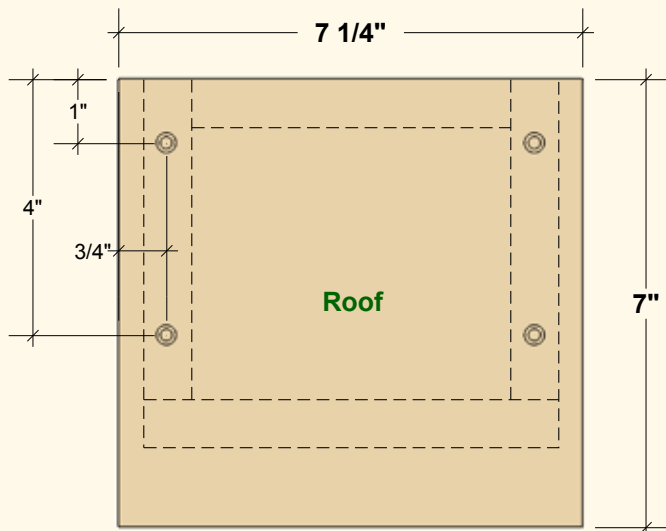
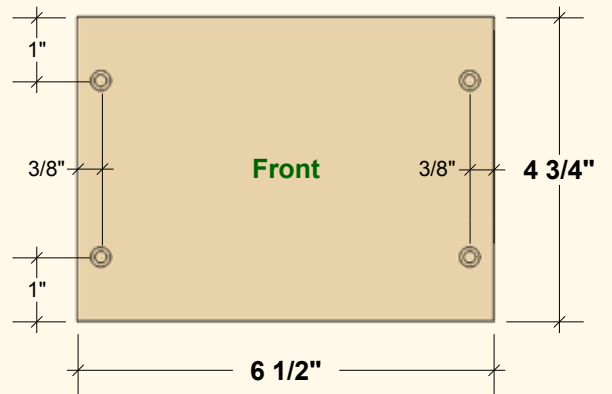
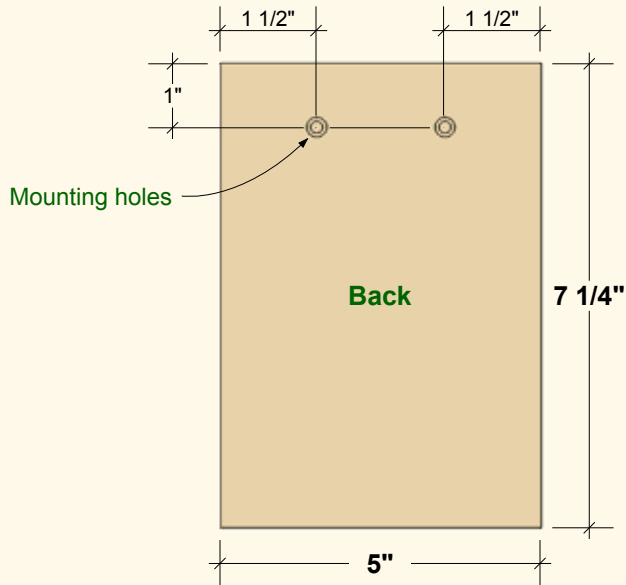
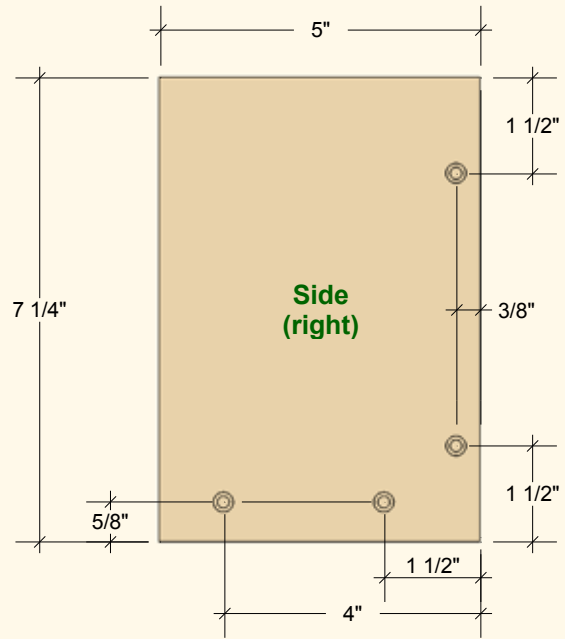
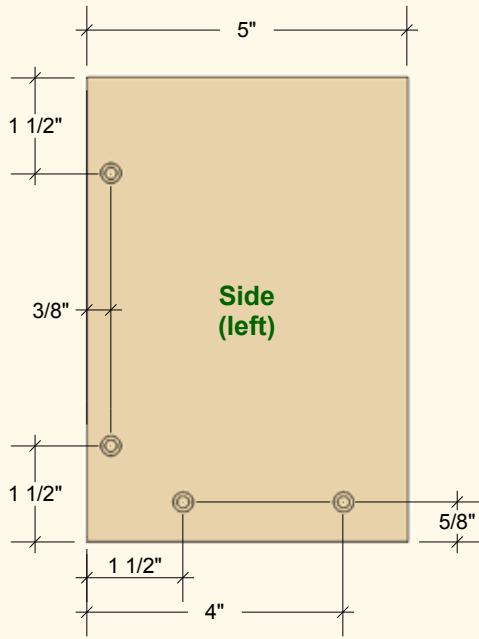
See Page 2 of 2 for suggested screw hole locations



Quan	Material
1	1 x 8 x 32" long
18	1 1/2" or 1 5/8" exterior wood screws

Note: Dimensions shown are for 3/4" thick wood. Some adjustment may be required for thinner or thicker stock.

Carolina Wren Nestbox
Designed by: Bob Orthwein



Carolina Wren Nestbox
 Designed by: Bob Orthwein