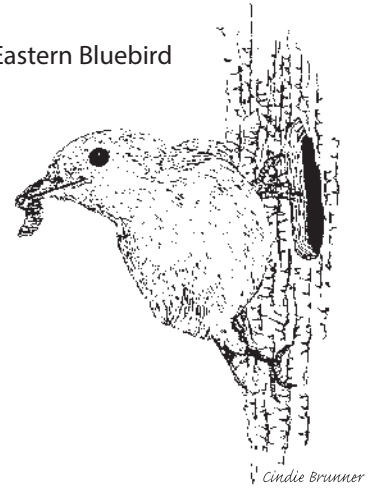


Nest Box

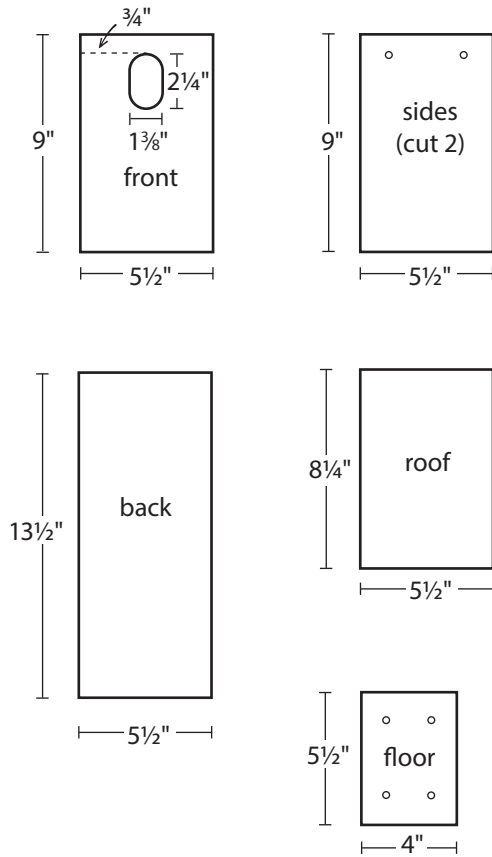
Eastern, Western, and Mountain Bluebirds;
Tree and Violet-green Swallows

Note: Western Bluebirds need a 1½" diameter round entrance hole and Mountain Bluebirds need a 1⅞" diameter round entrance hole. Swallows are smaller than bluebirds and will be able to enter holes 1⅜" or larger.

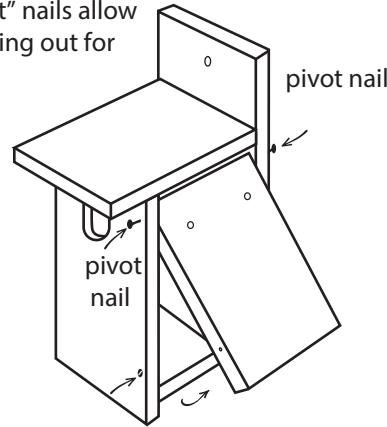
Eastern Bluebird



Cindie Brunner

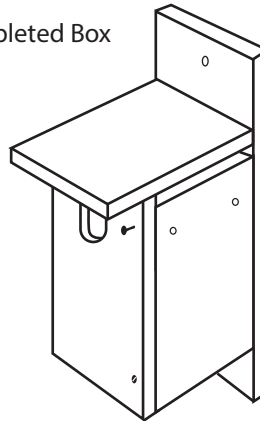


Two "pivot" nails allow side to swing out for cleaning.



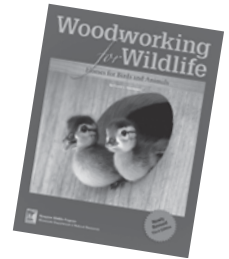
Use a nail or screw at bottom to keep side closed.

Completed Box



Increase Your Chances of Nest Box Success!

Information on natural history, habitat, nest box placement, and management for Midwestern birds is available in *Woodworking for Wildlife*. Order at minnesotasbookstore.com



Note: these dimensions are for ¾" thick board. Some cedar boards are 7/8" thick. If so, the floor must be 3¾" wide, not 4".

Lumber: 1" x 6" x 6'

