

Flammulated Owl Ferruginous Pygmy-Owl Northern Pygmy-Owl Elf Owl

Notes:

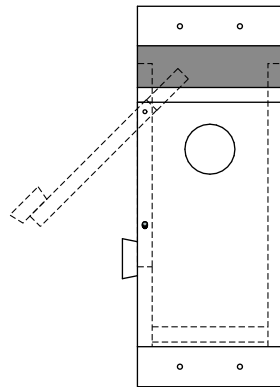
Entrance holes:
2 1/2" diameter for Flammulated Owl
2" diameter for Elf, Ferruginous
and Northern Pygmy-Owl.

The spacers help push the box away
from the uneven trunk surface.

If desired, apply a nontoxic waterproof
stain to nest box (exterior only).

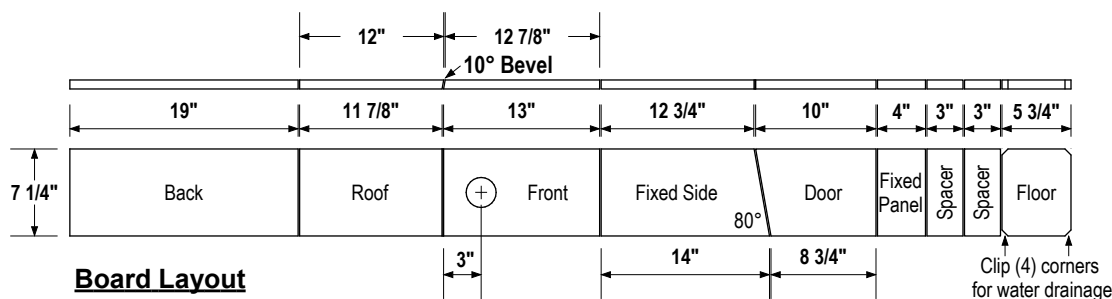
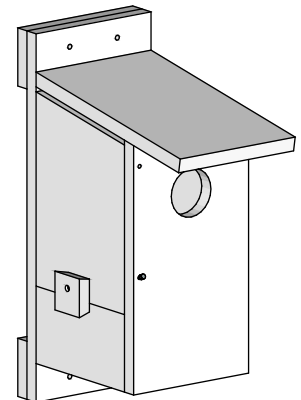
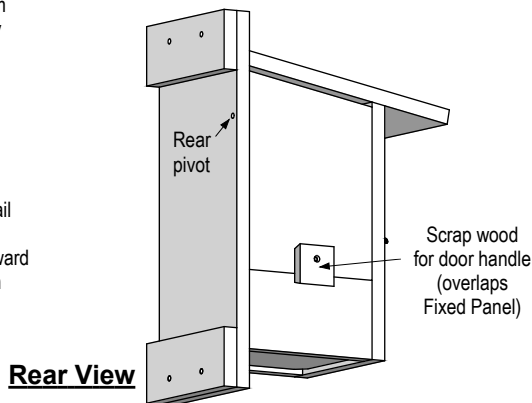
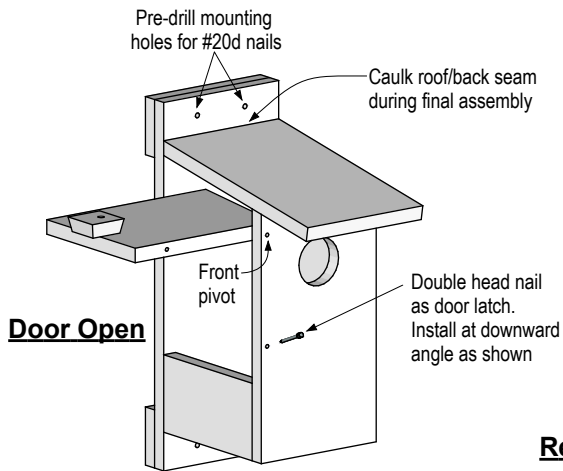
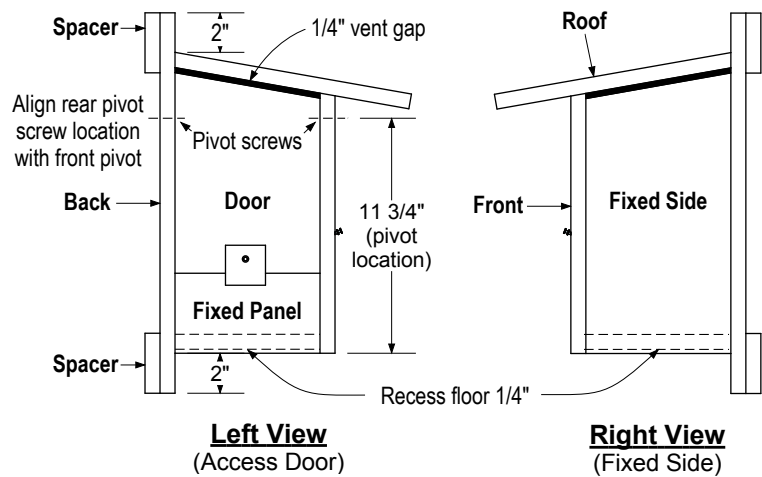
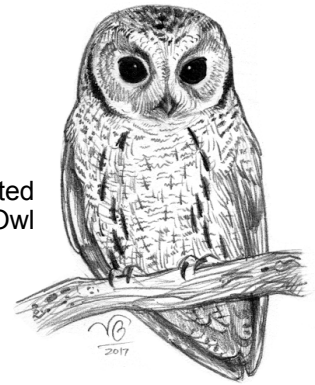
Place 2" of coarse wood shavings
(not sawdust) in bottom of nest box
each year before nesting season

Quan	Material
8 ft.	1 x 8 pine or cedar lumber (actual size 3/4" x 7 1/4")
20	#8 x 1 5/8" exterior deck screws (for nest box construction, pivot screws)
8	#8 x 1 1/4" exterior deck screws (to attach spacers to back board)
4	#20d (4") common galvanized nails (to attach nest box to tree)
1	#8d (2 1/2") galvanized double head nail (for door latch)
1	Silicone caulk (to seal roof/back seam)



Front View

Flammulated
Owl



The **Cornell** Lab
NestWatch

Report your nesting birds to
Nestwatch.org