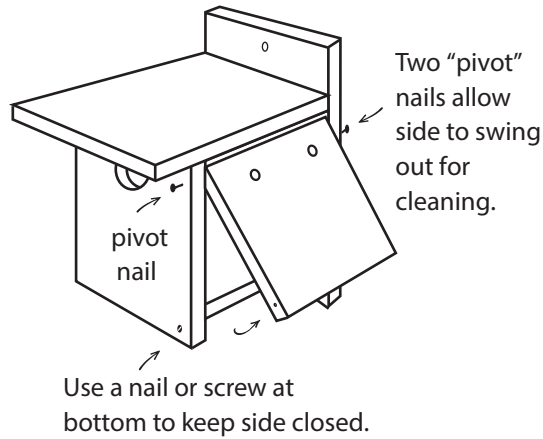
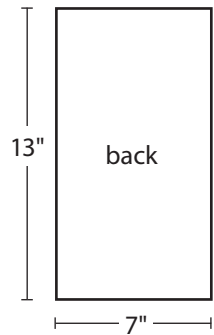
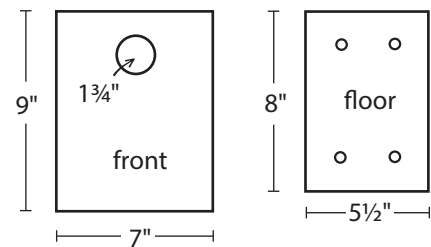
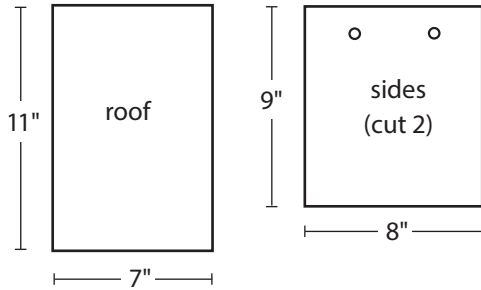
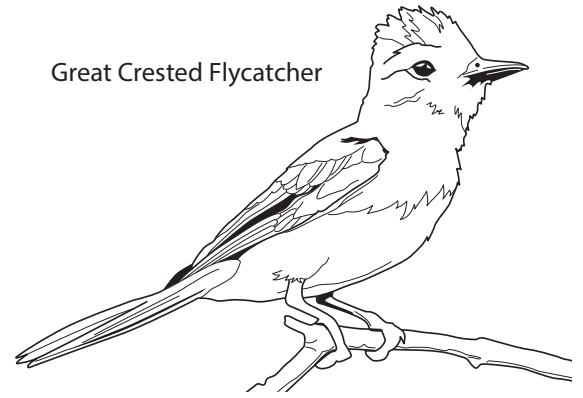


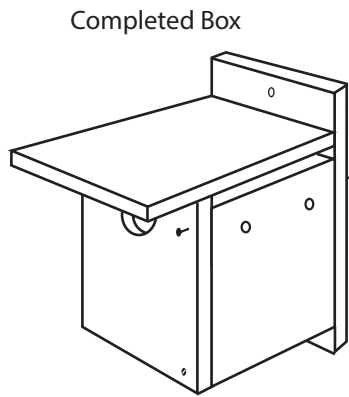
Nest Box

Great Crested, Ash-throated, and Brown-crested Flycatchers

Great Crested Flycatcher

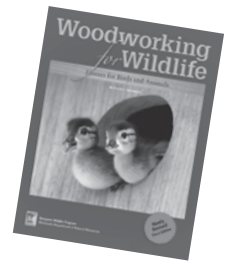


Use a nail or screw at bottom to keep side closed.



Increase Your Chances of Nest Box Success!

Information on natural history, habitat, nest box placement, and management for Midwestern birds is available in *Woodworking for Wildlife*. Order at minnesotasbookstore.com



Lumber: 1" x 10" x 6'

