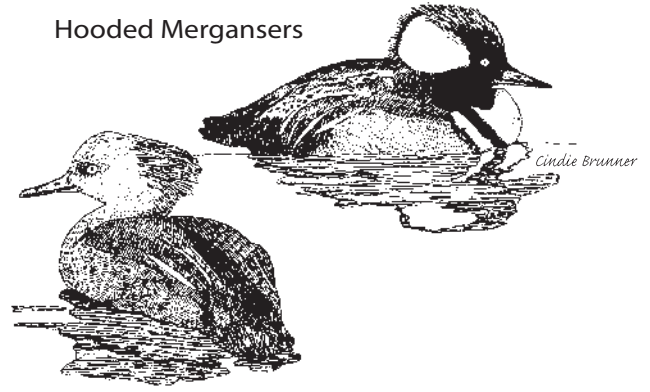


Nest Box

Wood Duck, Hooded Merganser, Common and Barrow's Goldeneyes

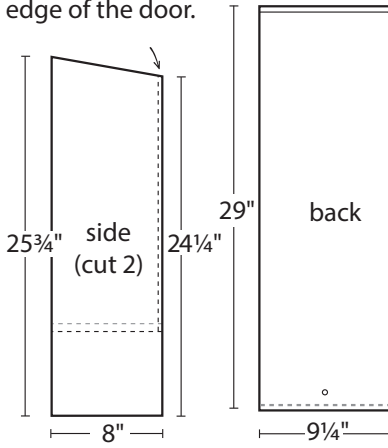
Hooded Mergansers



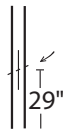
Note: Entrance hole (a horizontal oval) is 4" x 3" for Wood Duck and Hooded Merganser, 4 1/4" x 3 1/4" for Common Goldeneye, and 5" x 4" for Barrow's Goldeneye.

To make swing-up door, on one side make a 45° cut 6" from the bottom and trim 1/8" from long edge of the door.

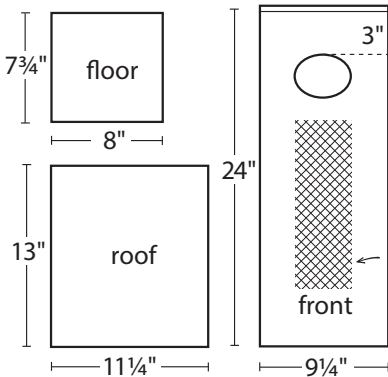
Cut top edge at a 15° angle.



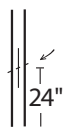
Side view of 15° angle cut.



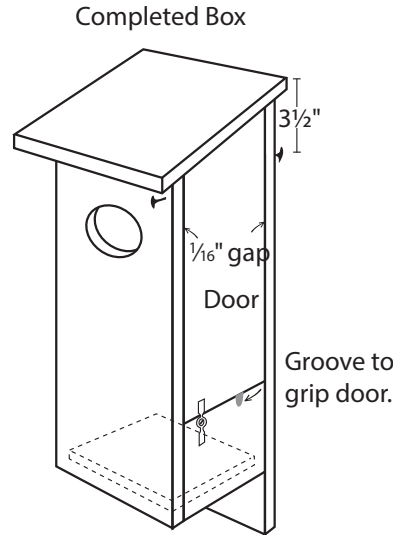
Cut top edge at a 15° angle.



Side view of 15° angle cut.



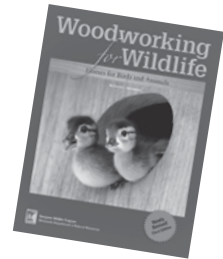
Attach 4" x 12" piece of 1/4" mesh hardware cloth.



Roof should overhang house 3/4" in the back and 1" along the sides. Recess the floor 1/2" up.

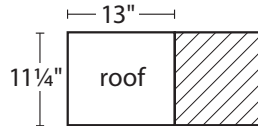
Increase Your Chances of Nest Box Success!

Information on natural history, habitat, nest box placement, and management for Midwestern birds is available in *Woodworking for Wildlife*. Order at minnesotasbookstore.com



Construct house with rough surface facing out. One side will be smooth unless you're making multiple houses and you alternate the direction of your cross cut.

Lumber: 1" x 12" x 2'



Have rough side up when cutting the 15° angle cut.

Lumber: 1" x 10" x 10'

