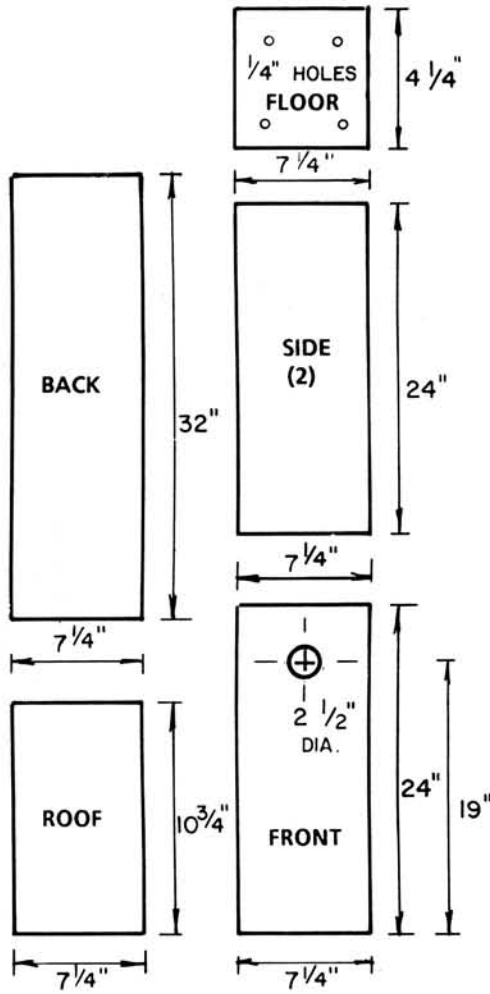
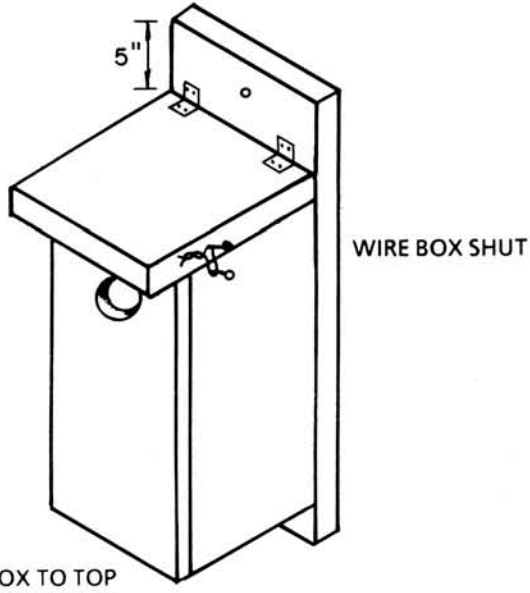


Nest Box Plan for Northern Flicker



HINGE OR CLEAT
ROOF FOR CLEANING



FILL BOX TO TOP
WITH SAWDUST

LUMBER: ONE 2" X 8" X 12'0"

